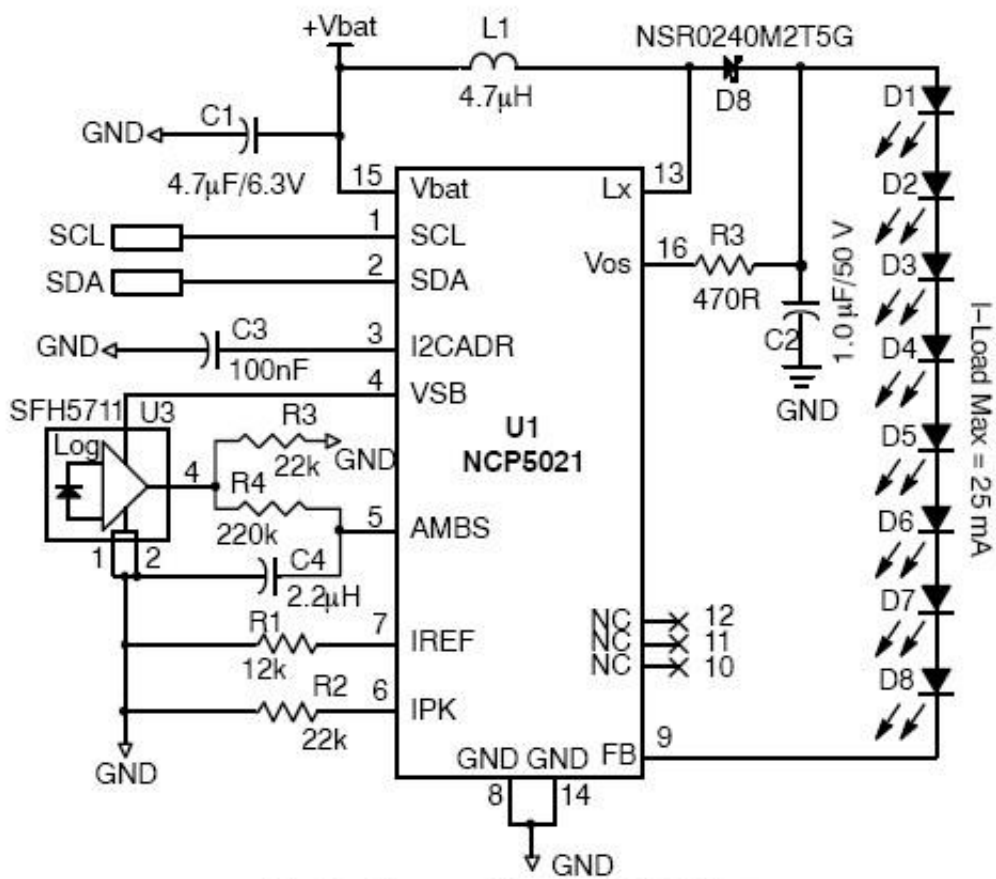


Download



[White Led Driver Circuit Diagram Download Preactivated Version](#)



Typical Large Display LED Driver

[White Led Driver Circuit Diagram Download Preactivated Version](#)

Download

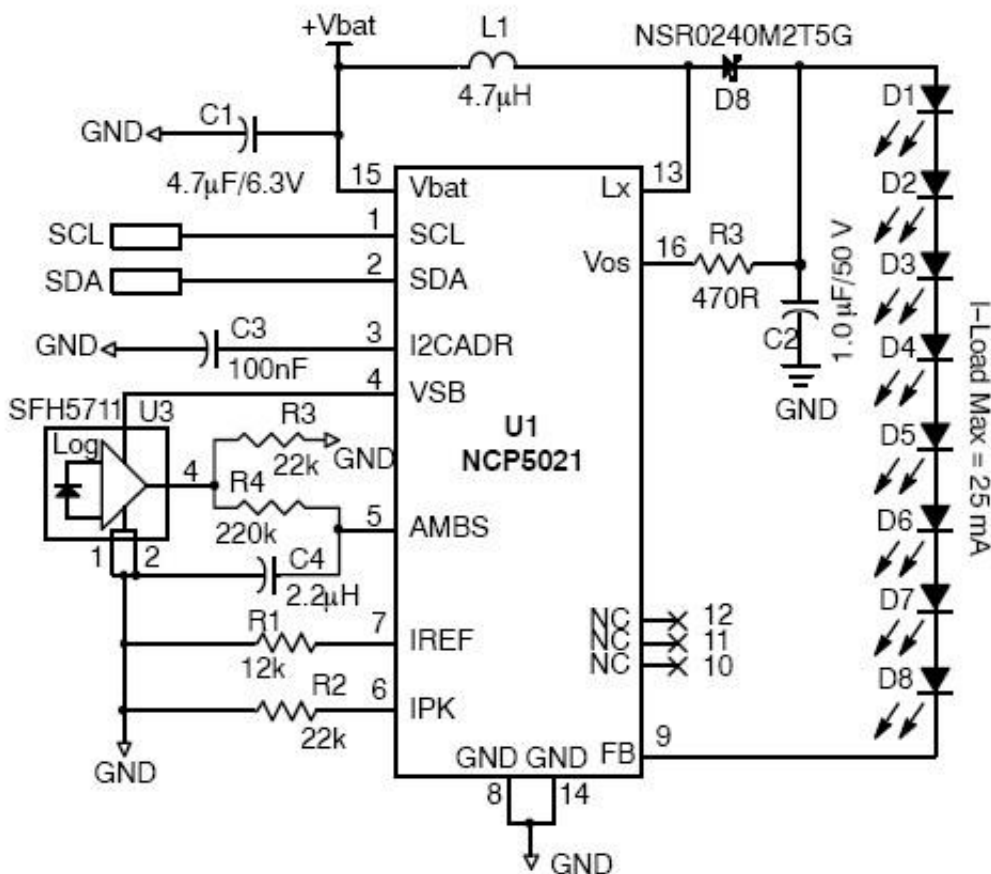


Possibly Related to 'Wide Input-Voltage Range High-Power LED Driver' Circuits Discrete High Current Switch Mode LED Driver This is a discrete high current switch.. The circuit is too simple and energy saving design Its current consumption is practically.. [Source: maxim-ic com] Discrete High Current Switch Mode LED Driver This is a discrete high current switch mode LED driver circuit.

IV - Digital; Vol V - Reference Here's a really simple and inexpensive Power LED driver circuit.

[Rollercoaster Emotions](#)

5A and 1A output currents and the corresponding efficiencies : This circuit requires the input voltage range from 2.. This circuit based on a buck/boost converter controller regulates current to a white LED.. 7V minimum to to 16 5V maximum For a current-regulation loop, this circuit uses buck-boost converter controller (IC1) with external MOSFET power switch and a 0.. 10A High power led driver schematic circuit design using LM3434 integrated circuit.. This circuit can be used to replace incandescent bulbs, it efficiently match the LEDs to available power sources such as electrical systems car, batteries, etc. [Internet Account For Mac](#)



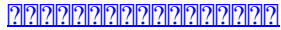
Typical Large Display LED Driver

[Mpcstar Media Player For](#)

[Windows 7](#)

[Macos Server 5.2 Download Free](#)

var q = 'white+led+driver+circuit+diagram';High Power White Led Driver Circuit DiagramThis white LED flood lights illuminates your porch with cool white light.. 5A and the black line is current regulation for 1 A From the third figure, we can see 0. [Freepbx Email Setup](#)



This circuit can be applied on automotive lighting applications The ... Continue reading →.. Following figure shows the schematic diagram of the circuit, the current regulation for 0.. It also can used to control and regulate the LED output despite variations in output voltage from the power source.. The basics of this circuit is a buck-converter principle The efficiency of this circuit is 80 to 90 %.. Learn to build electronic circuits Vol I - DC; Vol II - AC; Vol III - Semiconductors; Vol.. 5 A operation is more efficient than 1 A operation The efficiency for 0 5 A operation is almost 80%, and the efficiency for 1 A operation is about 75%.. The circuit is a This is a wide input-voltage range high-power LED driver circuit.. Li-Ion Driver for 8 White LEDs We can use boost converter such as TPS61160/1 with a 40V rated integrated switch FET to drive up to 10 LEDs in series. ae05505a44 [download free Cliffhorse](#)

ae05505a44

[Garageband 10.0.3 Download](#)